

# GLOBO

LIGHTING

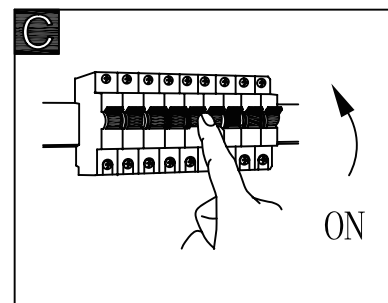
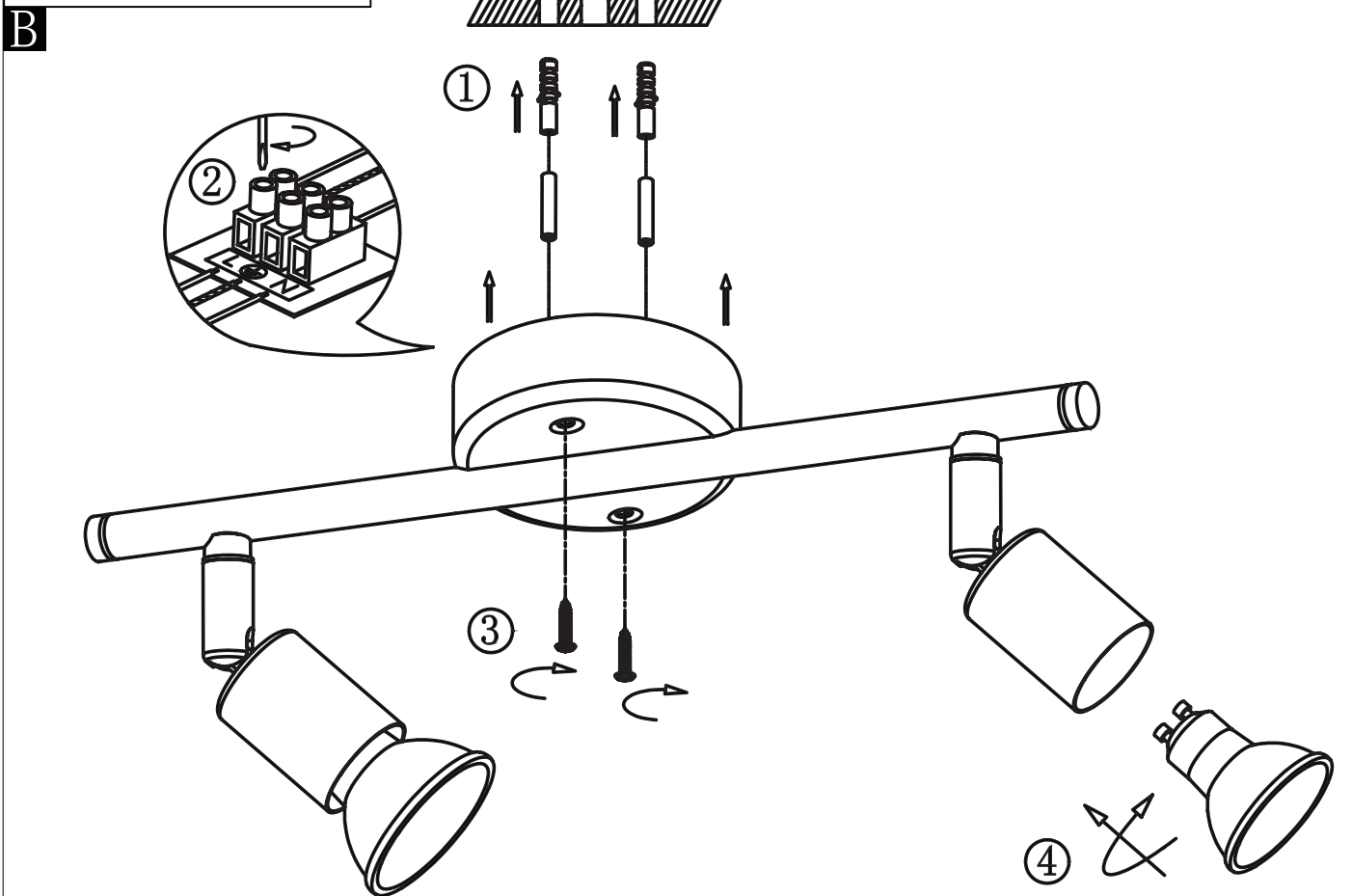
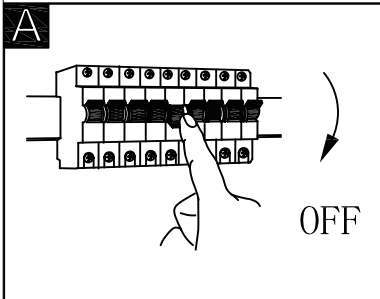
[www.globo-lighting.com](http://www.globo-lighting.com)

5739-2

57339-2

57381-2L

57382-2L



GLOBO Handels GmbH  
St. Peter 38  
A-9184 St. Jakob / Rosental